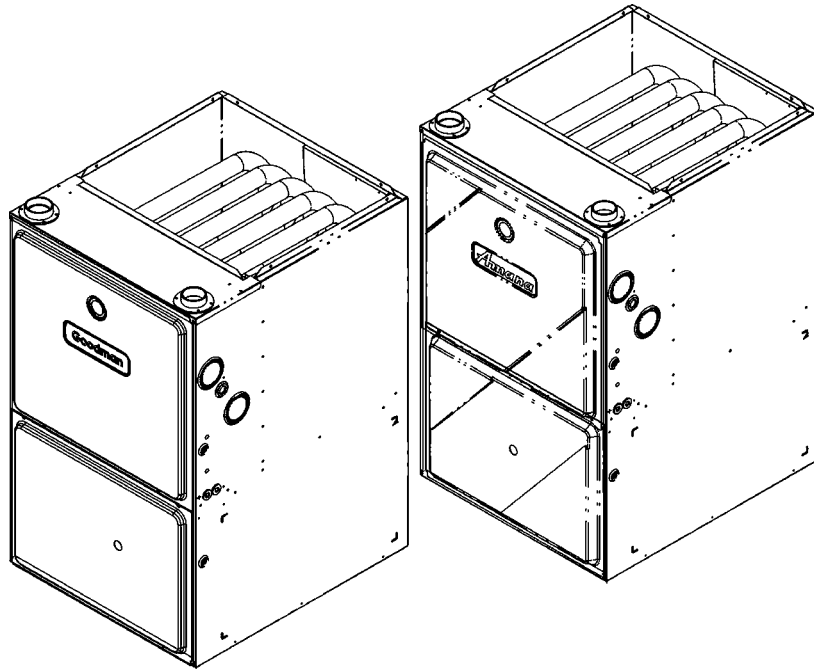


# REPAIR PARTS

\*MVC95 Variable  
Speed Furnace

AMVC950453BXAA  
AMVC950453BXAB  
AMVC950704CXAA  
AMVC950704CXAB  
AMVC950905CXAA  
AMVC950905DXAA  
AMVC950905DXAB  
AMVC951155DXAA  
AMVC951155DXAB  
GMVC950453BXAA  
GMVC950453BXAB  
GMVC950704CXAA  
GMVC950704CXAB  
GMVC950905CXAA  
GMVC950905DXAA  
GMVC950905DXAB  
GMVC951155DXAA  
GMVC951155DXAB



This manual is to be used by qualified technicians only.

This manual replaces RP-509A

© 2009-2010 Goodman Manufacturing Company, L.P. ♦ 5151 San Felipe, Suite 500 ♦ Houston, TX 77056

## Functional Parts

### Part

### No: Description:

|               |   |
|---------------|---|
| 10735102S     | BECKETT BURNER (QTY AR)   |
| D6723311S     | BLOWER WHEEL (M5, M6, M7, M8, M9, M14, M15, M16, M17, M18)                  |
| B1368047A     | BLOWER WHEEL 10 X 10 (M3, M4, M12, M13)                                     |
| B1368016S     | BLOWER WHEEL 10 X 8 (M1, M2, M10, M11)                                      |
| 0130F00010    | FLAME SENSOR  |
| ✓ 0151M00014  | GAS VALVE - HONEYWELL 2-STAGE (M2, M4, M5, M7, M9, M11, M13, M14, M16, M18) |
| ✓ 0151F00000P | GAS VALVE - WHITE-RODGERS 2-STAGE (M1, M3, M6, M8, M10, M12, M15, M17)      |
| ✓ 20245903S   | ID BLOWER   |
| B1141666      | INDUCTOR-5.9 AMP (M3, M4, M12, M13)   |
| B1141666      | INDUCTOR-5.9 AMP (M5, M6, M7, M8, M9, M14, M15, M16, M17, M18)              |
| ✓ B1370818    | INTERLOCK SWITCH  |
| 0130F00105    | LIMIT SWITCH (M5, M14)  |
| 10123518      | MANUAL RESET LIMIT (M1, M2, M10, M11)                                       |
| 10123536      | MANUAL RESET LIMIT 180°F (M5, M6, M7, M14, M15, M16)                        |
| 10123537      | MANUAL RESET LIMIT-GRAY (M3, M4, M12, M13)                                  |
| 10123537      | MANUAL RESET LIMIT-GRAY (M6, M7, M15, M16)                                  |
| 10123535      | MANUAL RESET LIMIT-RED (M1, M2, M10, M11)                                   |
| ✓ 10123533    | MANUAL RESET LIMIT-YELLOW (M3, M4, M5, M8, M9, M12, M13, M14, M17, M18)     |
| ✓ 10123533    | MANUAL RESET LIMIT-YELLOW (M8, M9, M17, M18)                                |
| 0131M00111S   | MOTOR 1/2 HP, SERIAL ECM (M1, M2, M10, M11)                                 |
| 0131M00113S   | MOTOR, 1 HP SERIAL ECM (M5, M6, M7, M8, M9, M14, M15, M16, M17, M18)        |
| 0131M00112S   | MOTOR, 3/4 HP SERIAL ECM (M3, M4, M12, M13)                                 |
| 10716003      | ORIFICE (QTY AR)  |
| PCBKF101S     | PCB, CONTROL, FURNACE   |
| 0130F00111    | PRESSURE SWITCH (M5, M14)   |
| 11177113      | PRESSURE SWITCH-GRAY (M1, M2, M3, M4, M10, M11, M12, M13)                   |
| 11177114      | PRESSURE SWITCH-OLIVE (M6, M7, M8, M9, M15, M16, M17, M18)                  |
| 20197308      | PRESSURE SWITCH-YELLOW  |
| 20162907      | PRIMARY LIMIT (M3, M4, M12, M13)  |
| ✓ 20162904    | PRIMARY LIMIT-TEMPERATURE CONTROL (M8, M9, M17, M18)                        |
| 20162905      | PRIMARY LIMIT-YELLOW (M1, M2, M6, M7, M10, M11, M15, M16)                   |
| ✓ 0130F00008S | SINI IGNITOR  |
| ✓ B1141605    | TRANSFORMER 120V TO 24V, 40 VA  |

### SPECIAL PARTS

|         |  |
|---------|--|
| HI-124  | HOMEOWNERS INSTRUCTIONS  |
| IO-341C | INSTALL INSTRUCT (M5, M14)                                     |
| IO-661  | INSTALL INSTRUCTIONS   |
| IO-341B | INSTALLATION INSTR (M2, M4, M7, M9, M11, M13, M16, M18)        |
| IO-341A | INSTALLATION INSTRUCTIONS (M1, M3, M6, M8, M10, M12, M15, M17) |

### Expanded Model Nomenclature

|                      |
|----------------------|
| M1 - AMVC950453BXAA  |
| M2 - AMVC950453BXAB  |
| M3 - AMVC950704CXAA  |
| M4 - AMVC950704CXAB  |
| M5 - AMVC950905CXAA  |
| M6 - AMVC950905DXAA  |
| M7 - AMVC950905DXAB  |
| M8 - AMVC951155DXAA  |
| M9 - AMVC951155DXAB  |
| M10 - GMVC950453BXAA |
| M11 - GMVC950453BXAB |
| M12 - GMVC950704CXAA |
| M13 - GMVC950704CXAB |
| M14 - GMVC950905CXAA |
| M15 - GMVC950905DXAA |
| M16 - GMVC950905DXAB |
| M17 - GMVC951155DXAA |
| M18 - GMVC951155DXAB |

# Cabinet

Image 1

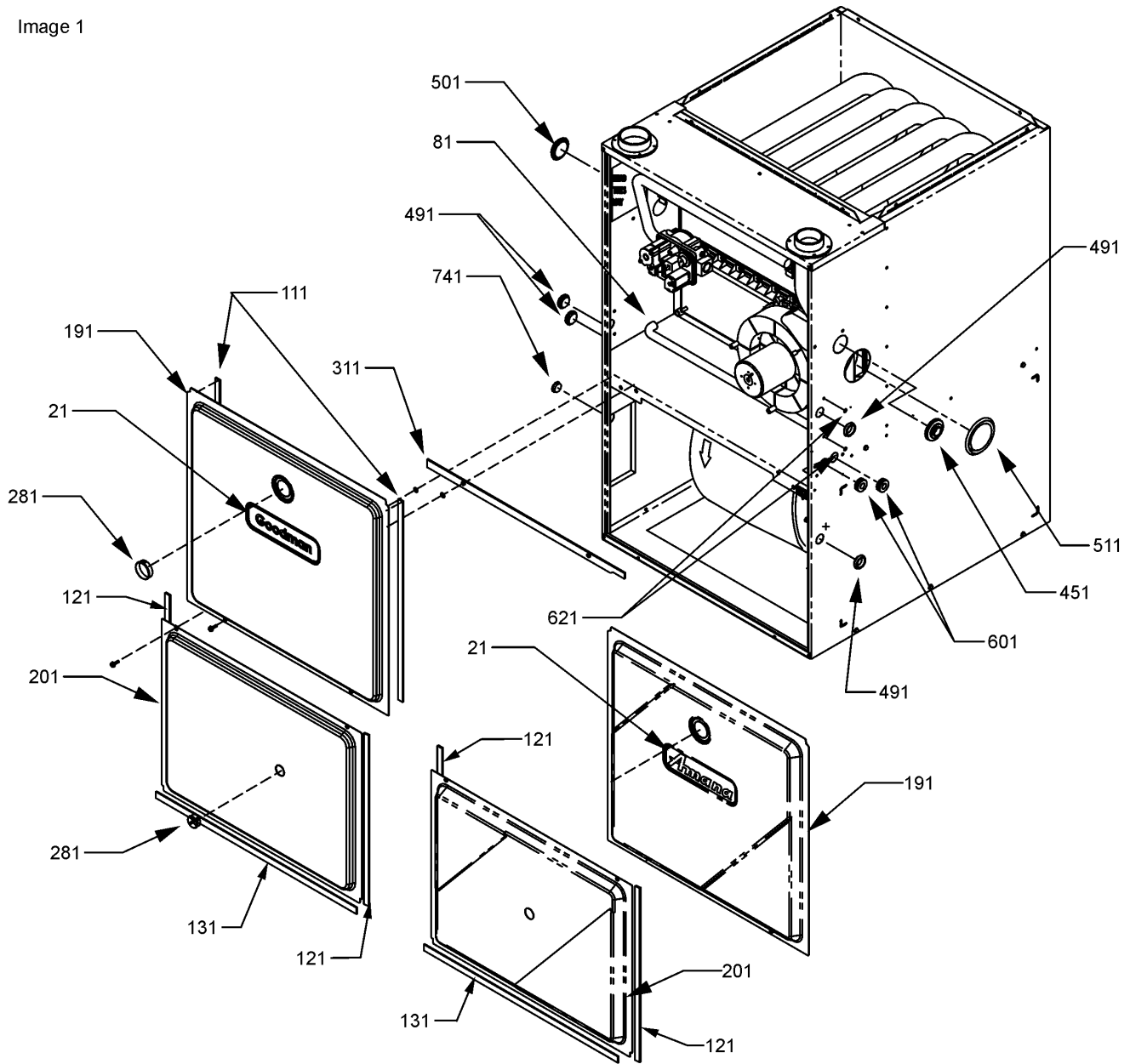
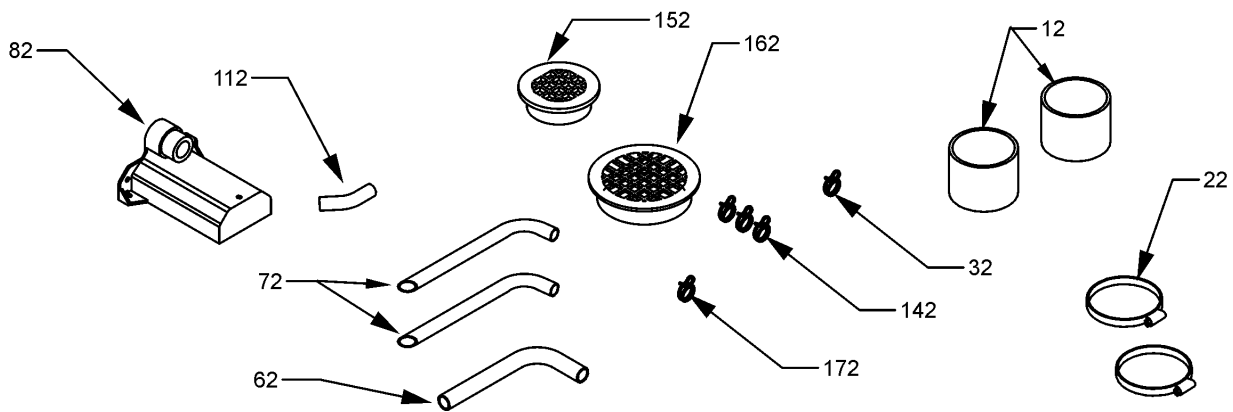


Image 2



# Cabinet

| Ref. Part No:        | No:           | Description:  | Ref. Part No:  | No:      | Description: |                     |                     |                     |                     |                     |                     |                     |                     |                     |                      |                      |                      |                      |                      |                      |                      |                      |                      |
|----------------------|---------------|---|--|----------|--------------|---------------------|---------------------|---------------------|---------------------|---------------------|---------------------|---------------------|---------------------|---------------------|----------------------|----------------------|----------------------|----------------------|----------------------|----------------------|----------------------|----------------------|----------------------|
| <i>Image 1:</i>      |               |   | <i>Image 2:</i>  |          |              |                     |                     |                     |                     |                     |                     |                     |                     |                     |                      |                      |                      |                      |                      |                      |                      |                      |                      |
| 21                   | 0161M00003P   | AMANA NAMEPLATE (M1, M2, M3, M4, M5, M6, M7, M8, M9)            | 172  | M0119206 | HOSE CLAMP   |                     |                     |                     |                     |                     |                     |                     |                     |                     |                      |                      |                      |                      |                      |                      |                      |                      |                      |
| 21                   | 0161F00000P   | GOODMAN NAMEPLATE (M10, M11, M12, M13, M14, M15, M16, M17, M18) | Expanded Model Nomenclature  |          |              |                     |                     |                     |                     |                     |                     |                     |                     |                     |                      |                      |                      |                      |                      |                      |                      |                      |                      |
| ✓ 81                 | 20201902      | DRAIN HOSE  | <table border="1"> <tr><td>M1 - AMVC950453BXAA</td></tr> <tr><td>M2 - AMVC950453BXAB</td></tr> <tr><td>M3 - AMVC950704CXAA</td></tr> <tr><td>M4 - AMVC950704CXAB</td></tr> <tr><td>M5 - AMVC950905CXAA</td></tr> <tr><td>M6 - AMVC950905DXAA</td></tr> <tr><td>M7 - AMVC950905DXAB</td></tr> <tr><td>M8 - AMVC951155DXAA</td></tr> <tr><td>M9 - AMVC951155DXAB</td></tr> <tr><td>M10 - GMVC950453BXAA</td></tr> <tr><td>M11 - GMVC950453BXAB</td></tr> <tr><td>M12 - GMVC950704CXAA</td></tr> <tr><td>M13 - GMVC950704CXAB</td></tr> <tr><td>M14 - GMVC950905CXAA</td></tr> <tr><td>M15 - GMVC950905DXAA</td></tr> <tr><td>M16 - GMVC950905DXAB</td></tr> <tr><td>M17 - GMVC951155DXAA</td></tr> <tr><td>M18 - GMVC951155DXAB</td></tr> </table> |          |              | M1 - AMVC950453BXAA | M2 - AMVC950453BXAB | M3 - AMVC950704CXAA | M4 - AMVC950704CXAB | M5 - AMVC950905CXAA | M6 - AMVC950905DXAA | M7 - AMVC950905DXAB | M8 - AMVC951155DXAA | M9 - AMVC951155DXAB | M10 - GMVC950453BXAA | M11 - GMVC950453BXAB | M12 - GMVC950704CXAA | M13 - GMVC950704CXAB | M14 - GMVC950905CXAA | M15 - GMVC950905DXAA | M16 - GMVC950905DXAB | M17 - GMVC951155DXAA | M18 - GMVC951155DXAB |
| M1 - AMVC950453BXAA  |               |   |  |          |              |                     |                     |                     |                     |                     |                     |                     |                     |                     |                      |                      |                      |                      |                      |                      |                      |                      |                      |
| M2 - AMVC950453BXAB  |               |   |  |          |              |                     |                     |                     |                     |                     |                     |                     |                     |                     |                      |                      |                      |                      |                      |                      |                      |                      |                      |
| M3 - AMVC950704CXAA  |               |   |  |          |              |                     |                     |                     |                     |                     |                     |                     |                     |                     |                      |                      |                      |                      |                      |                      |                      |                      |                      |
| M4 - AMVC950704CXAB  |               |   |  |          |              |                     |                     |                     |                     |                     |                     |                     |                     |                     |                      |                      |                      |                      |                      |                      |                      |                      |                      |
| M5 - AMVC950905CXAA  |               |   |  |          |              |                     |                     |                     |                     |                     |                     |                     |                     |                     |                      |                      |                      |                      |                      |                      |                      |                      |                      |
| M6 - AMVC950905DXAA  |               |   |  |          |              |                     |                     |                     |                     |                     |                     |                     |                     |                     |                      |                      |                      |                      |                      |                      |                      |                      |                      |
| M7 - AMVC950905DXAB  |               |   |  |          |              |                     |                     |                     |                     |                     |                     |                     |                     |                     |                      |                      |                      |                      |                      |                      |                      |                      |                      |
| M8 - AMVC951155DXAA  |               |   |  |          |              |                     |                     |                     |                     |                     |                     |                     |                     |                     |                      |                      |                      |                      |                      |                      |                      |                      |                      |
| M9 - AMVC951155DXAB  |               |   |  |          |              |                     |                     |                     |                     |                     |                     |                     |                     |                     |                      |                      |                      |                      |                      |                      |                      |                      |                      |
| M10 - GMVC950453BXAA |               |   |  |          |              |                     |                     |                     |                     |                     |                     |                     |                     |                     |                      |                      |                      |                      |                      |                      |                      |                      |                      |
| M11 - GMVC950453BXAB |               |   |  |          |              |                     |                     |                     |                     |                     |                     |                     |                     |                     |                      |                      |                      |                      |                      |                      |                      |                      |                      |
| M12 - GMVC950704CXAA |               |   |  |          |              |                     |                     |                     |                     |                     |                     |                     |                     |                     |                      |                      |                      |                      |                      |                      |                      |                      |                      |
| M13 - GMVC950704CXAB |               |   |  |          |              |                     |                     |                     |                     |                     |                     |                     |                     |                     |                      |                      |                      |                      |                      |                      |                      |                      |                      |
| M14 - GMVC950905CXAA |               |   |  |          |              |                     |                     |                     |                     |                     |                     |                     |                     |                     |                      |                      |                      |                      |                      |                      |                      |                      |                      |
| M15 - GMVC950905DXAA |               |   |  |          |              |                     |                     |                     |                     |                     |                     |                     |                     |                     |                      |                      |                      |                      |                      |                      |                      |                      |                      |
| M16 - GMVC950905DXAB |               |   |  |          |              |                     |                     |                     |                     |                     |                     |                     |                     |                     |                      |                      |                      |                      |                      |                      |                      |                      |                      |
| M17 - GMVC951155DXAA |               |   |  |          |              |                     |                     |                     |                     |                     |                     |                     |                     |                     |                      |                      |                      |                      |                      |                      |                      |                      |                      |
| M18 - GMVC951155DXAB |               |   |  |          |              |                     |                     |                     |                     |                     |                     |                     |                     |                     |                      |                      |                      |                      |                      |                      |                      |                      |                      |
| 111                  | 20179308      | GASKET (QTY 2)  |  |          |              |                     |                     |                     |                     |                     |                     |                     |                     |                     |                      |                      |                      |                      |                      |                      |                      |                      |                      |
| 121                  | 20179311      | GASKET (QTY 2)  |  |          |              |                     |                     |                     |                     |                     |                     |                     |                     |                     |                      |                      |                      |                      |                      |                      |                      |                      |                      |
| 131                  | 20179311      | GASKET (M1, M2, M10, M11)                                       |  |          |              |                     |                     |                     |                     |                     |                     |                     |                     |                     |                      |                      |                      |                      |                      |                      |                      |                      |                      |
| 131                  | 20179312      | GASKET (M3, M4, M5, M12, M13, M14)                              |  |          |              |                     |                     |                     |                     |                     |                     |                     |                     |                     |                      |                      |                      |                      |                      |                      |                      |                      |                      |
| 131                  | 20179313      | GASKET (M6, M7, M8, M9, M15, M16, M17, M18)                     |  |          |              |                     |                     |                     |                     |                     |                     |                     |                     |                     |                      |                      |                      |                      |                      |                      |                      |                      |                      |
| 191                  | 0121F00066LG  | ACCESS DOOR (M1, M2)  |  |          |              |                     |                     |                     |                     |                     |                     |                     |                     |                     |                      |                      |                      |                      |                      |                      |                      |                      |                      |
| 191                  | 0121F00067LG  | ACCESS DOOR (M3, M4, M5)  |  |          |              |                     |                     |                     |                     |                     |                     |                     |                     |                     |                      |                      |                      |                      |                      |                      |                      |                      |                      |
| 191                  | 0121F00068LG  | ACCESS DOOR (M6, M7, M8, M9)                                    |  |          |              |                     |                     |                     |                     |                     |                     |                     |                     |                     |                      |                      |                      |                      |                      |                      |                      |                      |                      |
| 191                  | 0121F00072DGS | ACCESS DOOR (M10, M11)  |  |          |              |                     |                     |                     |                     |                     |                     |                     |                     |                     |                      |                      |                      |                      |                      |                      |                      |                      |                      |
| 191                  | 0121F00073DGS | ACCESS DOOR (M12, M13, M14)                                     |  |          |              |                     |                     |                     |                     |                     |                     |                     |                     |                     |                      |                      |                      |                      |                      |                      |                      |                      |                      |
| 191                  | 0121F00074DGS | ACCESS DOOR (M15, M16, M17, M18)                                |  |          |              |                     |                     |                     |                     |                     |                     |                     |                     |                     |                      |                      |                      |                      |                      |                      |                      |                      |                      |
| 201                  | 0121F00063LG  | BLOWER DOOR (M1, M2)  |  |          |              |                     |                     |                     |                     |                     |                     |                     |                     |                     |                      |                      |                      |                      |                      |                      |                      |                      |                      |
| 201                  | 0121F00064LGS | BLOWER DOOR (M3, M4, M5)  |  |          |              |                     |                     |                     |                     |                     |                     |                     |                     |                     |                      |                      |                      |                      |                      |                      |                      |                      |                      |
| 201                  | 0121F00065LGS | BLOWER DOOR (M6, M7, M8, M9)                                    |  |          |              |                     |                     |                     |                     |                     |                     |                     |                     |                     |                      |                      |                      |                      |                      |                      |                      |                      |                      |
| 201                  | 0121F00069DGS | BLOWER DOOR (M10, M11)  |  |          |              |                     |                     |                     |                     |                     |                     |                     |                     |                     |                      |                      |                      |                      |                      |                      |                      |                      |                      |
| 201                  | 0121F00070DGS | BLOWER DOOR (M12, M13, M14)                                     |  |          |              |                     |                     |                     |                     |                     |                     |                     |                     |                     |                      |                      |                      |                      |                      |                      |                      |                      |                      |
| 201                  | 0121F00071DGS | BLOWER DOOR (M15, M16, M17, M18)                                |  |          |              |                     |                     |                     |                     |                     |                     |                     |                     |                     |                      |                      |                      |                      |                      |                      |                      |                      |                      |
| 281                  | B1392139      | VIEW PORT BUSHING-BLOWER DOOR (QTY 2)                           |  |          |              |                     |                     |                     |                     |                     |                     |                     |                     |                     |                      |                      |                      |                      |                      |                      |                      |                      |                      |
| 311                  | 22320001      | DECK GASKET (M1, M2, M10, M11)                                  |  |          |              |                     |                     |                     |                     |                     |                     |                     |                     |                     |                      |                      |                      |                      |                      |                      |                      |                      |                      |
| 311                  | 22320002      | DECK GASKET (M3, M4, M5, M12, M13, M14)                         |  |          |              |                     |                     |                     |                     |                     |                     |                     |                     |                     |                      |                      |                      |                      |                      |                      |                      |                      |                      |
| 311                  | 22320003      | DECK GASKET (M6, M7, M8, M9, M15, M16, M17, M18)                |  |          |              |                     |                     |                     |                     |                     |                     |                     |                     |                     |                      |                      |                      |                      |                      |                      |                      |                      |                      |
| 451                  | M0501301      | PIPE GROMMET  |  |          |              |                     |                     |                     |                     |                     |                     |                     |                     |                     |                      |                      |                      |                      |                      |                      |                      |                      |                      |
| 491                  | M0570808      | BUTTON PLUG (QTY 4)   |  |          |              |                     |                     |                     |                     |                     |                     |                     |                     |                     |                      |                      |                      |                      |                      |                      |                      |                      |                      |
| 501                  | M0570806      | BUTTON PLUG   |  |          |              |                     |                     |                     |                     |                     |                     |                     |                     |                     |                      |                      |                      |                      |                      |                      |                      |                      |                      |
| 511                  | M0570807      | BUTTON PLUG   |  |          |              |                     |                     |                     |                     |                     |                     |                     |                     |                     |                      |                      |                      |                      |                      |                      |                      |                      |                      |
| 601                  | A4691701      | GROMMET (QTY 2)   |  |          |              |                     |                     |                     |                     |                     |                     |                     |                     |                     |                      |                      |                      |                      |                      |                      |                      |                      |                      |
| 621                  | M0310345      | BUTTON PLUG (QTY 2)   |  |          |              |                     |                     |                     |                     |                     |                     |                     |                     |                     |                      |                      |                      |                      |                      |                      |                      |                      |                      |
| 741                  | B1392104      | UNIVERSAL BUSHING UB 875  |  |          |              |                     |                     |                     |                     |                     |                     |                     |                     |                     |                      |                      |                      |                      |                      |                      |                      |                      |                      |
| NS                   | 10195517Q     | STANDPIPE BAG ASSY  |  |          |              |                     |                     |                     |                     |                     |                     |                     |                     |                     |                      |                      |                      |                      |                      |                      |                      |                      |                      |
| <i>Image 2:</i>      |               |   |  |          |              |                     |                     |                     |                     |                     |                     |                     |                     |                     |                      |                      |                      |                      |                      |                      |                      |                      |                      |
| 12                   | 10254303      | RUBBER COUPLING   |  |          |              |                     |                     |                     |                     |                     |                     |                     |                     |                     |                      |                      |                      |                      |                      |                      |                      |                      |                      |
| 22                   | 0163M00049    | HOSE CLAMP (QTY 2)  |  |          |              |                     |                     |                     |                     |                     |                     |                     |                     |                     |                      |                      |                      |                      |                      |                      |                      |                      |                      |
| 32                   | M0119207      | HOSE CLAMP  |  |          |              |                     |                     |                     |                     |                     |                     |                     |                     |                     |                      |                      |                      |                      |                      |                      |                      |                      |                      |
| ✓ 62                 | 20201901      | DRAIN HOSE  |  |          |              |                     |                     |                     |                     |                     |                     |                     |                     |                     |                      |                      |                      |                      |                      |                      |                      |                      |                      |
| ✓ 72                 | 20201802      | DRAIN TUBE (QTY 2)  |  |          |              |                     |                     |                     |                     |                     |                     |                     |                     |                     |                      |                      |                      |                      |                      |                      |                      |                      |                      |
| ✓ 82                 | 20171701      | DRAIN TRAP  |  |          |              |                     |                     |                     |                     |                     |                     |                     |                     |                     |                      |                      |                      |                      |                      |                      |                      |                      |                      |
| 112                  | 20214203      | DRAIN ANGLE   |  |          |              |                     |                     |                     |                     |                     |                     |                     |                     |                     |                      |                      |                      |                      |                      |                      |                      |                      |                      |
| 142                  | M0119205      | HOSE CLAMP (QTY 3)  |  |          |              |                     |                     |                     |                     |                     |                     |                     |                     |                     |                      |                      |                      |                      |                      |                      |                      |                      |                      |
| ✓ 152                | B2810816      | 2" MESH INSERT  |  |          |              |                     |                     |                     |                     |                     |                     |                     |                     |                     |                      |                      |                      |                      |                      |                      |                      |                      |                      |
| ✓ 162                | B2810814      | 3" MESH INSERT  |  |          |              |                     |                     |                     |                     |                     |                     |                     |                     |                     |                      |                      |                      |                      |                      |                      |                      |                      |                      |

# Blower Assembly

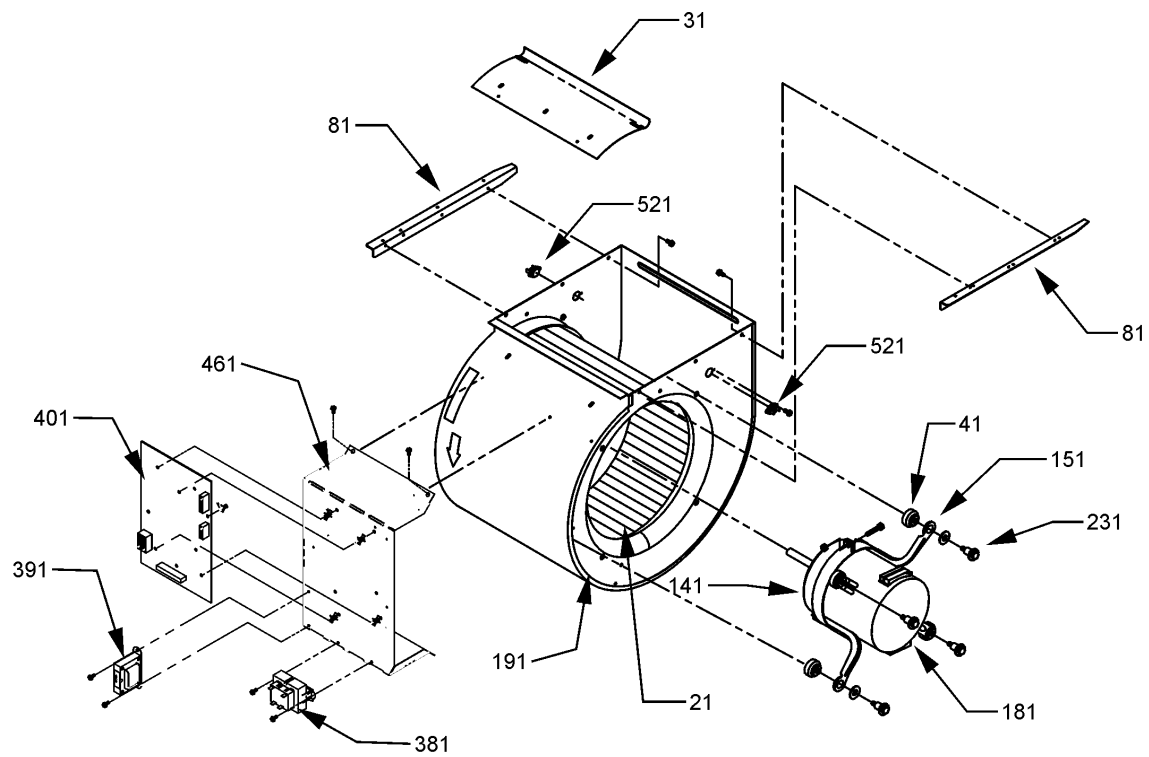
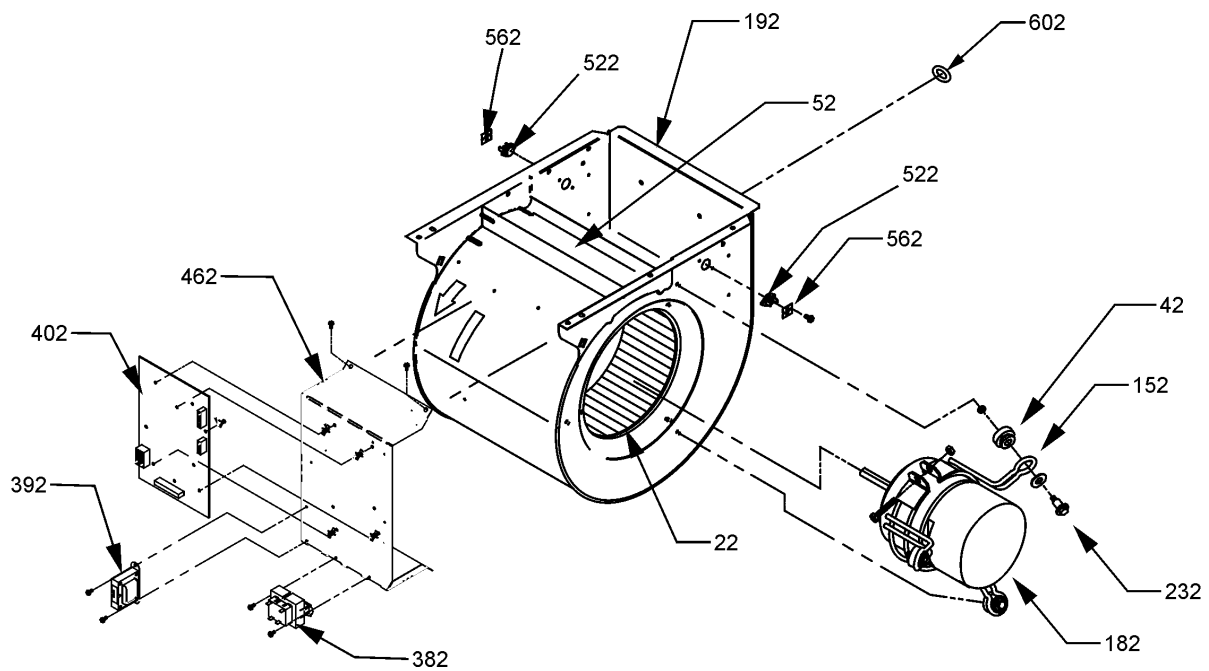


Image 1

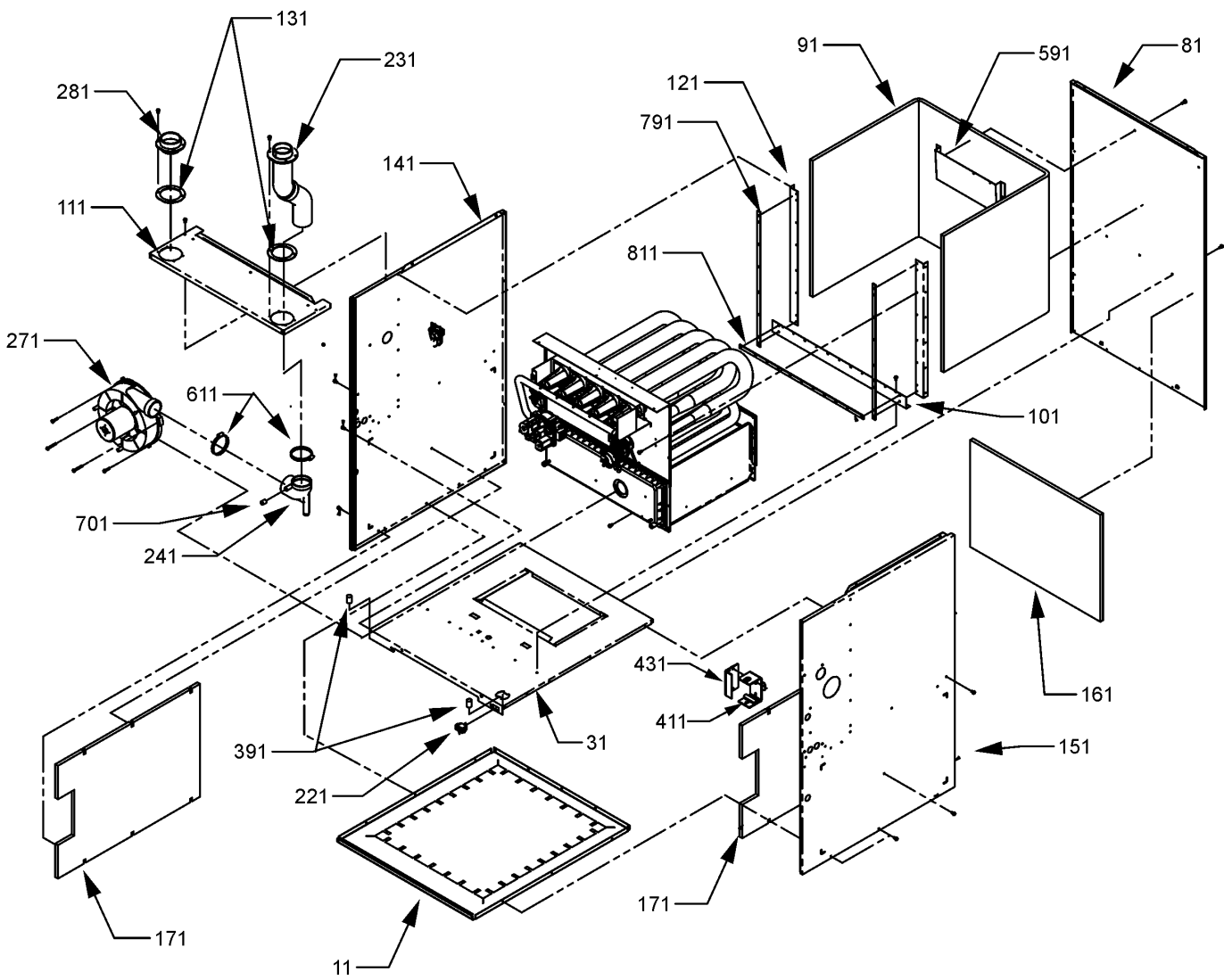
Image 2



## Blower Assembly

| Ref. Part No:        | No:         | Description:  | Ref. Part No:  | No:        | Description:   |                     |                     |                     |                     |                     |                     |                     |                     |                     |                      |                      |                      |                      |                      |                      |                      |                      |                      |
|----------------------|-------------|---|--|------------|--|---------------------|---------------------|---------------------|---------------------|---------------------|---------------------|---------------------|---------------------|---------------------|----------------------|----------------------|----------------------|----------------------|----------------------|----------------------|----------------------|----------------------|----------------------|
| <i>Image 1:</i>      |             |   | <i>Image 2:</i>  |            |  |                     |                     |                     |                     |                     |                     |                     |                     |                     |                      |                      |                      |                      |                      |                      |                      |                      |                      |
| 21                   | D6723311S   | BLOWER WHEEL (M5, M6, M7, M8, M9, M14, M15, M16, M17, M18)                | 522  | 10123537   | MANUAL RESET LIMIT-GRAY (M3, M4, M12, M13)                       |                     |                     |                     |                     |                     |                     |                     |                     |                     |                      |                      |                      |                      |                      |                      |                      |                      |                      |
| 31                   | C6121807    | BLOWER CUT-OFF (M5, M6, M7, M8, M9, M14, M15, M16, M17, M18)              | 522  | 10123535   | MANUAL RESET LIMIT-RED (M1, M2, M10, M11)                        |                     |                     |                     |                     |                     |                     |                     |                     |                     |                      |                      |                      |                      |                      |                      |                      |                      |                      |
| 41                   | A4002702    | BLOWER MOTOR GROMMET (M5, M6, M7, M8, M9, M14, M15, M16, M17, M18)        | 562  | 2509503F   | AUXILIARY LIMIT BRACKET (M1, M2, M3, M4, M10, M11, M12, M13)     |                     |                     |                     |                     |                     |                     |                     |                     |                     |                      |                      |                      |                      |                      |                      |                      |                      |                      |
| 81                   | 20175101    | BLOWER SIDE RAIL (M5, M6, M7, M8, M9, M14, M15, M16, M17, M18)            | 602  | B1392021   | PLASTIC PLUG, 1" (2713-BLK) (M1, M2, M3, M4, M10, M11, M12, M13) |                     |                     |                     |                     |                     |                     |                     |                     |                     |                      |                      |                      |                      |                      |                      |                      |                      |                      |
| 141                  | 10441601    | MOTOR MOUNT BAND (M5, M6, M7, M8, M9, M14, M15, M16, M17, M18)            | NS   | 0259F00040 | CONTROL HARNESS  |                     |                     |                     |                     |                     |                     |                     |                     |                     |                      |                      |                      |                      |                      |                      |                      |                      |                      |
| 151                  | 10441501    | MOTOR MOUNT ARM (M5, M6, M7, M8, M9, M14, M15, M16, M17, M18)             | NS   | 0159F00012 | HARNESS, WIRING  |                     |                     |                     |                     |                     |                     |                     |                     |                     |                      |                      |                      |                      |                      |                      |                      |                      |                      |
| 181                  | 0131M00113S | MOTOR, 1 HP SERIAL ECM (M5, M6, M7, M8, M9, M14, M15, M16, M17, M18)      | NS   | 0259F00041 | POWER HARNESS  |                     |                     |                     |                     |                     |                     |                     |                     |                     |                      |                      |                      |                      |                      |                      |                      |                      |                      |
| 191                  | 0271F00047  | BLOWER HOUSING ASSY 11 X 10 (M5, M6, M7, M8, M9, M14, M15, M16, M17, M18) | NS   | 0259F00024 | WIRE HARNESS-BLOWER  |                     |                     |                     |                     |                     |                     |                     |                     |                     |                      |                      |                      |                      |                      |                      |                      |                      |                      |
| 231                  | M0221461    | TC SCREW (M5, M6, M7, M8, M9, M14, M15, M16, M17, M18)                    | Expanded Model Nomenclature  |            |  |                     |                     |                     |                     |                     |                     |                     |                     |                     |                      |                      |                      |                      |                      |                      |                      |                      |                      |
| ✓ 381                | B1141605    | TRANSFORMER 120V TO 24V, 40 VA  | <table border="1"> <tr><td>M1 - AMVC950453BXAA</td></tr> <tr><td>M2 - AMVC950453BXAB</td></tr> <tr><td>M3 - AMVC950704CXAA</td></tr> <tr><td>M4 - AMVC950704CXAB</td></tr> <tr><td>M5 - AMVC950905CXAA</td></tr> <tr><td>M6 - AMVC950905DXAA</td></tr> <tr><td>M7 - AMVC950905DXAB</td></tr> <tr><td>M8 - AMVC951155DXAA</td></tr> <tr><td>M9 - AMVC951155DXAB</td></tr> <tr><td>M10 - GMVC950453BXAA</td></tr> <tr><td>M11 - GMVC950453BXAB</td></tr> <tr><td>M12 - GMVC950704CXAA</td></tr> <tr><td>M13 - GMVC950704CXAB</td></tr> <tr><td>M14 - GMVC950905CXAA</td></tr> <tr><td>M15 - GMVC950905DXAA</td></tr> <tr><td>M16 - GMVC950905DXAB</td></tr> <tr><td>M17 - GMVC951155DXAA</td></tr> <tr><td>M18 - GMVC951155DXAB</td></tr> </table> |            |  | M1 - AMVC950453BXAA | M2 - AMVC950453BXAB | M3 - AMVC950704CXAA | M4 - AMVC950704CXAB | M5 - AMVC950905CXAA | M6 - AMVC950905DXAA | M7 - AMVC950905DXAB | M8 - AMVC951155DXAA | M9 - AMVC951155DXAB | M10 - GMVC950453BXAA | M11 - GMVC950453BXAB | M12 - GMVC950704CXAA | M13 - GMVC950704CXAB | M14 - GMVC950905CXAA | M15 - GMVC950905DXAA | M16 - GMVC950905DXAB | M17 - GMVC951155DXAA | M18 - GMVC951155DXAB |
| M1 - AMVC950453BXAA  |             |   |  |            |  |                     |                     |                     |                     |                     |                     |                     |                     |                     |                      |                      |                      |                      |                      |                      |                      |                      |                      |
| M2 - AMVC950453BXAB  |             |   |  |            |  |                     |                     |                     |                     |                     |                     |                     |                     |                     |                      |                      |                      |                      |                      |                      |                      |                      |                      |
| M3 - AMVC950704CXAA  |             |   |  |            |  |                     |                     |                     |                     |                     |                     |                     |                     |                     |                      |                      |                      |                      |                      |                      |                      |                      |                      |
| M4 - AMVC950704CXAB  |             |   |  |            |  |                     |                     |                     |                     |                     |                     |                     |                     |                     |                      |                      |                      |                      |                      |                      |                      |                      |                      |
| M5 - AMVC950905CXAA  |             |   |  |            |  |                     |                     |                     |                     |                     |                     |                     |                     |                     |                      |                      |                      |                      |                      |                      |                      |                      |                      |
| M6 - AMVC950905DXAA  |             |   |  |            |  |                     |                     |                     |                     |                     |                     |                     |                     |                     |                      |                      |                      |                      |                      |                      |                      |                      |                      |
| M7 - AMVC950905DXAB  |             |   |  |            |  |                     |                     |                     |                     |                     |                     |                     |                     |                     |                      |                      |                      |                      |                      |                      |                      |                      |                      |
| M8 - AMVC951155DXAA  |             |   |  |            |  |                     |                     |                     |                     |                     |                     |                     |                     |                     |                      |                      |                      |                      |                      |                      |                      |                      |                      |
| M9 - AMVC951155DXAB  |             |   |  |            |  |                     |                     |                     |                     |                     |                     |                     |                     |                     |                      |                      |                      |                      |                      |                      |                      |                      |                      |
| M10 - GMVC950453BXAA |             |   |  |            |  |                     |                     |                     |                     |                     |                     |                     |                     |                     |                      |                      |                      |                      |                      |                      |                      |                      |                      |
| M11 - GMVC950453BXAB |             |   |  |            |  |                     |                     |                     |                     |                     |                     |                     |                     |                     |                      |                      |                      |                      |                      |                      |                      |                      |                      |
| M12 - GMVC950704CXAA |             |   |  |            |  |                     |                     |                     |                     |                     |                     |                     |                     |                     |                      |                      |                      |                      |                      |                      |                      |                      |                      |
| M13 - GMVC950704CXAB |             |   |  |            |  |                     |                     |                     |                     |                     |                     |                     |                     |                     |                      |                      |                      |                      |                      |                      |                      |                      |                      |
| M14 - GMVC950905CXAA |             |   |  |            |  |                     |                     |                     |                     |                     |                     |                     |                     |                     |                      |                      |                      |                      |                      |                      |                      |                      |                      |
| M15 - GMVC950905DXAA |             |   |  |            |  |                     |                     |                     |                     |                     |                     |                     |                     |                     |                      |                      |                      |                      |                      |                      |                      |                      |                      |
| M16 - GMVC950905DXAB |             |   |  |            |  |                     |                     |                     |                     |                     |                     |                     |                     |                     |                      |                      |                      |                      |                      |                      |                      |                      |                      |
| M17 - GMVC951155DXAA |             |   |  |            |  |                     |                     |                     |                     |                     |                     |                     |                     |                     |                      |                      |                      |                      |                      |                      |                      |                      |                      |
| M18 - GMVC951155DXAB |             |   |  |            |  |                     |                     |                     |                     |                     |                     |                     |                     |                     |                      |                      |                      |                      |                      |                      |                      |                      |                      |
| 391                  | B1141666    | INDUCTOR-5.9 AMP (M5, M6, M7, M8, M9, M14, M15, M16, M17, M18)            |  |            |  |                     |                     |                     |                     |                     |                     |                     |                     |                     |                      |                      |                      |                      |                      |                      |                      |                      |                      |
| 401                  | PCBKF101S   | PCB, CONTROL, FURNACE   |  |            |  |                     |                     |                     |                     |                     |                     |                     |                     |                     |                      |                      |                      |                      |                      |                      |                      |                      |                      |
| 461                  | 0121F00094  | CONTROL MOUNT PANEL   |  |            |  |                     |                     |                     |                     |                     |                     |                     |                     |                     |                      |                      |                      |                      |                      |                      |                      |                      |                      |
| 521                  | 10123536    | MANUAL RESET LIMIT 180°F (M5, M6, M7, M14, M15, M16)                      |  |            |  |                     |                     |                     |                     |                     |                     |                     |                     |                     |                      |                      |                      |                      |                      |                      |                      |                      |                      |
| 521                  | 10123533    | MANUAL RESET LIMIT-YELLOW (M8, M9, M17, M18)                              |  |            |  |                     |                     |                     |                     |                     |                     |                     |                     |                     |                      |                      |                      |                      |                      |                      |                      |                      |                      |
| NS                   | 0259F00040  | CONTROL HARNESS   |  |            |  |                     |                     |                     |                     |                     |                     |                     |                     |                     |                      |                      |                      |                      |                      |                      |                      |                      |                      |
| NS                   | 0159F00012  | HARNESS, WIRING   |  |            |  |                     |                     |                     |                     |                     |                     |                     |                     |                     |                      |                      |                      |                      |                      |                      |                      |                      |                      |
| NS                   | 0259F00041  | POWER HARNESS   |  |            |  |                     |                     |                     |                     |                     |                     |                     |                     |                     |                      |                      |                      |                      |                      |                      |                      |                      |                      |
| NS                   | 0259F00024  | WIRE HARNESS-BLOWER   |  |            |  |                     |                     |                     |                     |                     |                     |                     |                     |                     |                      |                      |                      |                      |                      |                      |                      |                      |                      |
| <i>Image 2:</i>      |             |   |  |            |  |                     |                     |                     |                     |                     |                     |                     |                     |                     |                      |                      |                      |                      |                      |                      |                      |                      |                      |
| 22                   | B1368047A   | BLOWER WHEEL 10 X 10 (M3, M4, M12, M13)                                   |  |            |  |                     |                     |                     |                     |                     |                     |                     |                     |                     |                      |                      |                      |                      |                      |                      |                      |                      |                      |
| 22                   | B1368016S   | BLOWER WHEEL 10 X 8 (M1, M2, M10, M11)                                    |  |            |  |                     |                     |                     |                     |                     |                     |                     |                     |                     |                      |                      |                      |                      |                      |                      |                      |                      |                      |
| 42                   | A4002702    | BLOWER MOTOR GROMMET (M1, M2, M3, M4, M10, M11, M12, M13)                 |  |            |  |                     |                     |                     |                     |                     |                     |                     |                     |                     |                      |                      |                      |                      |                      |                      |                      |                      |                      |
| 52                   | 764741F     | BLOWER BLOCK-OFF 10 X 10 (M3, M4, M12, M13)                               |  |            |  |                     |                     |                     |                     |                     |                     |                     |                     |                     |                      |                      |                      |                      |                      |                      |                      |                      |                      |
| 52                   | 764740F     | BLOWER BLOCK-OFF 10 X 8 (M1, M2, M10, M11)                                |  |            |  |                     |                     |                     |                     |                     |                     |                     |                     |                     |                      |                      |                      |                      |                      |                      |                      |                      |                      |
| 152                  | C9443702    | MOTOR MOUNT BRACKET (M1, M2, M3, M4, M10, M11, M12, M13)                  |  |            |  |                     |                     |                     |                     |                     |                     |                     |                     |                     |                      |                      |                      |                      |                      |                      |                      |                      |                      |
| 182                  | 0131M00111S | MOTOR 1/2 HP, SERIAL ECM (M1, M2, M10, M11)                               |  |            |  |                     |                     |                     |                     |                     |                     |                     |                     |                     |                      |                      |                      |                      |                      |                      |                      |                      |                      |
| 182                  | 0131M00112S | MOTOR, 3/4 HP SERIAL ECM (M3, M4, M12, M13)                               |  |            |  |                     |                     |                     |                     |                     |                     |                     |                     |                     |                      |                      |                      |                      |                      |                      |                      |                      |                      |
| 192                  | 0271F00004P | BLOWER HOUSING ASSY 10 X 10 (M3, M4, M12, M13)                            |  |            |  |                     |                     |                     |                     |                     |                     |                     |                     |                     |                      |                      |                      |                      |                      |                      |                      |                      |                      |
| 192                  | 0271F00074  | BLOWER HOUSING ASSY 10 X 8 (M1, M2, M10, M11)                             |  |            |  |                     |                     |                     |                     |                     |                     |                     |                     |                     |                      |                      |                      |                      |                      |                      |                      |                      |                      |
| 232                  | M0221461    | TC SCREW (M1, M2, M3, M4, M10, M11, M12, M13)                             |  |            |  |                     |                     |                     |                     |                     |                     |                     |                     |                     |                      |                      |                      |                      |                      |                      |                      |                      |                      |
| ✓ 382                | B1141605    | TRANSFORMER 120V TO 24V, 40 VA  |  |            |  |                     |                     |                     |                     |                     |                     |                     |                     |                     |                      |                      |                      |                      |                      |                      |                      |                      |                      |
| 392                  | B1141666    | INDUCTOR-5.9 AMP (M3, M4, M12, M13)                                       |  |            |  |                     |                     |                     |                     |                     |                     |                     |                     |                     |                      |                      |                      |                      |                      |                      |                      |                      |                      |
| 402                  | PCBKF101S   | PCB, CONTROL, FURNACE   |  |            |  |                     |                     |                     |                     |                     |                     |                     |                     |                     |                      |                      |                      |                      |                      |                      |                      |                      |                      |
| 462                  | 0121F00094  | CONTROL MOUNT PANEL   |  |            |  |                     |                     |                     |                     |                     |                     |                     |                     |                     |                      |                      |                      |                      |                      |                      |                      |                      |                      |

# Chassis

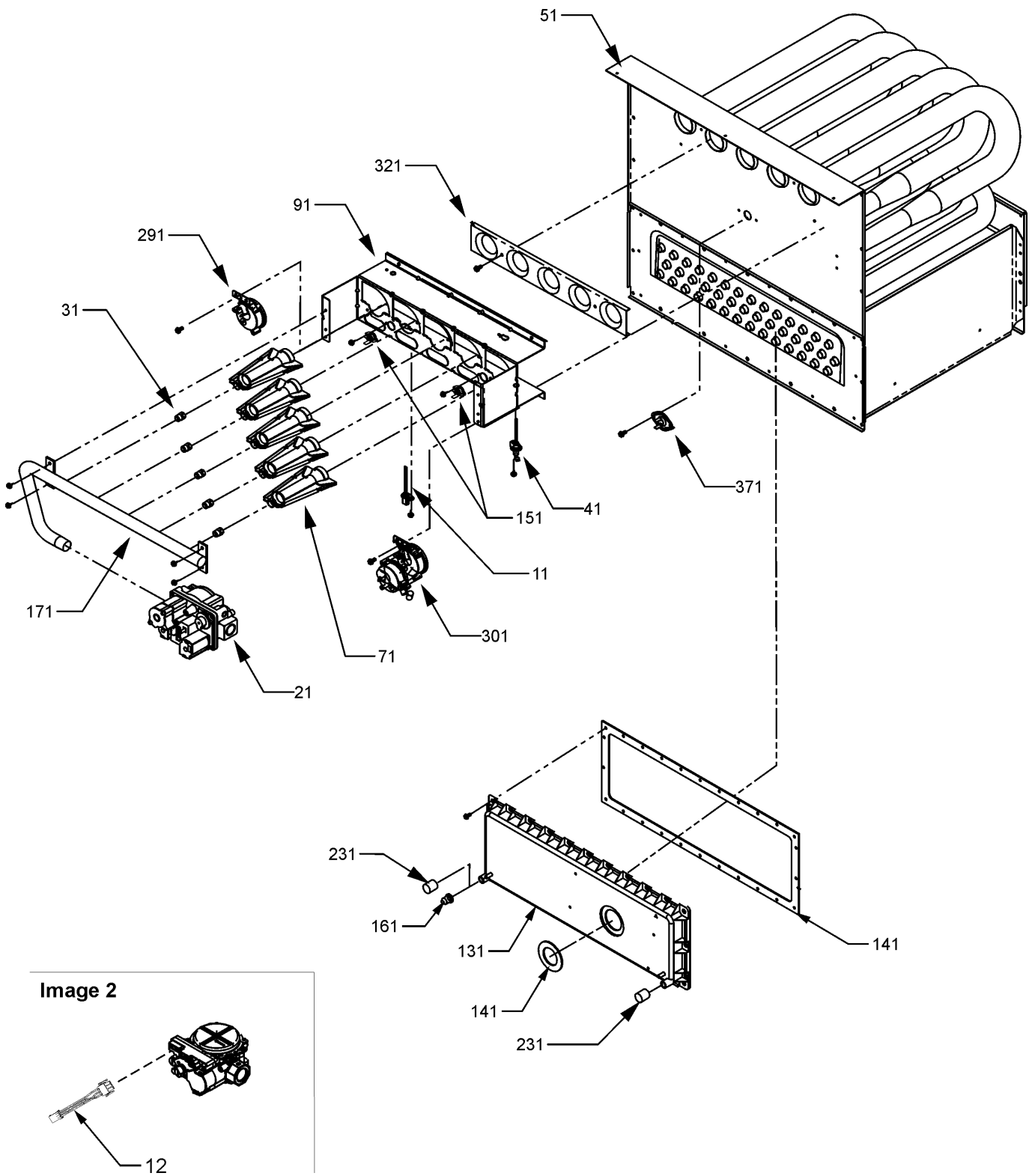


## Chassis

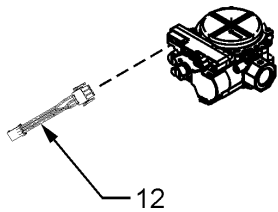
| Ref. Part No:        | No:           | Description:   | Ref. Part No:  | No:        | Description:   |                     |                     |                     |                     |                     |                     |                     |                     |                     |                      |                      |                      |                      |                      |                      |                      |                      |                      |
|----------------------|---------------|--|--|------------|--|---------------------|---------------------|---------------------|---------------------|---------------------|---------------------|---------------------|---------------------|---------------------|----------------------|----------------------|----------------------|----------------------|----------------------|----------------------|----------------------|----------------------|----------------------|
| <i>Image 1:</i>      |               |  | <i>Image 1:</i>  |            |  |                     |                     |                     |                     |                     |                     |                     |                     |                     |                      |                      |                      |                      |                      |                      |                      |                      |                      |
| 11                   | 0121F00050DGS | BASE PAN (M1, M2, M10, M11)                                    | 611  | 0163M00049 | HOSE CLAMP (QTY 2)   |                     |                     |                     |                     |                     |                     |                     |                     |                     |                      |                      |                      |                      |                      |                      |                      |                      |                      |
| 11                   | 0121F00051DGS | BASE PAN (M3, M4, M5, M12, M13, M14)                           | 701  | M0326804   | TUBE PLUG  |                     |                     |                     |                     |                     |                     |                     |                     |                     |                      |                      |                      |                      |                      |                      |                      |                      |                      |
| 11                   | 0121F00052DG  | BASE PAN (M6, M7, M8, M9, M15, M16, M17, M18)                  | 791  | 20194608   | GASKET (QTY 2)   |                     |                     |                     |                     |                     |                     |                     |                     |                     |                      |                      |                      |                      |                      |                      |                      |                      |                      |
| 31                   | 0121F00043    | BLOWER DECK (M1, M2, M10, M11)                                 | 811  | 20194605   | GASKET (M1, M2, M10, M11)  |                     |                     |                     |                     |                     |                     |                     |                     |                     |                      |                      |                      |                      |                      |                      |                      |                      |                      |
| 31                   | 0121F00045    | BLOWER DECK (M3, M4, M12, M13)                                 | 811  | 20194606   | GASKET (M3, M4, M5, M12, M13, M14)   |                     |                     |                     |                     |                     |                     |                     |                     |                     |                      |                      |                      |                      |                      |                      |                      |                      |                      |
| 31                   | 0121F00048    | BLOWER DECK (M6, M7, M8, M9, M15, M16, M17, M18)               | 811  | 20194607   | GASKET (M6, M7, M8, M9, M15, M16, M17, M18)  |                     |                     |                     |                     |                     |                     |                     |                     |                     |                      |                      |                      |                      |                      |                      |                      |                      |                      |
| 31                   | 0121F00246    | BLOWER DECK (M5, M14)  | NS   | 0164M00007 | PRESSURE SWITCH HOSE (M1, M2, M3, M4, M5, M6, M7, M10, M11, M12, M13, M14, M15, M16, M17, M18) |                     |                     |                     |                     |                     |                     |                     |                     |                     |                      |                      |                      |                      |                      |                      |                      |                      |                      |
| 81                   | 20273208      | BACK PANEL (M1, M2, M10, M11)                                  | NS   | 0164M00011 | PRESSURE SWITCH HOSE (M1, M2, M10, M11)  |                     |                     |                     |                     |                     |                     |                     |                     |                     |                      |                      |                      |                      |                      |                      |                      |                      |                      |
| 81                   | 20273210S     | BACK PANEL (M3, M4, M5, M12, M13, M14)                         | NS   | 0164M00014 | PRESSURE SWITCH HOSE (M3, M4, M5, M6, M7, M12, M13, M14, M15, M16)                             |                     |                     |                     |                     |                     |                     |                     |                     |                     |                      |                      |                      |                      |                      |                      |                      |                      |                      |
| 81                   | 20273212S     | BACK PANEL (M6, M7, M8, M9, M15, M16, M17, M18)                | NS   | 0164M00015 | PRESSURE SWITCH HOSE (M8, M9)  |                     |                     |                     |                     |                     |                     |                     |                     |                     |                      |                      |                      |                      |                      |                      |                      |                      |                      |
| 91                   | C6415909      | HEAT EXCHANGER INSULATION (M6, M7, M8, M9, M15, M16, M17, M18) | NS   | 0164M00017 | PRESSURE SWITCH HOSE (M8, M9, M17, M18)  |                     |                     |                     |                     |                     |                     |                     |                     |                     |                      |                      |                      |                      |                      |                      |                      |                      |                      |
| 91                   | C6415910      | HEAT EXCHANGER INSULATION (M1, M2, M10, M11)                   | Expanded Model Nomenclature  |            |  |                     |                     |                     |                     |                     |                     |                     |                     |                     |                      |                      |                      |                      |                      |                      |                      |                      |                      |
| 91                   | C6415911      | HEAT EXCHANGER INSULATION (M3, M4, M5, M12, M13, M14)          | <table border="1"> <tr><td>M1 - AMVC950453BXAA</td></tr> <tr><td>M2 - AMVC950453BXAB</td></tr> <tr><td>M3 - AMVC950704CXAA</td></tr> <tr><td>M4 - AMVC950704CXAB</td></tr> <tr><td>M5 - AMVC950905CXAA</td></tr> <tr><td>M6 - AMVC950905DXAA</td></tr> <tr><td>M7 - AMVC950905DXAB</td></tr> <tr><td>M8 - AMVC951155DXAA</td></tr> <tr><td>M9 - AMVC951155DXAB</td></tr> <tr><td>M10 - GMVC950453BXAA</td></tr> <tr><td>M11 - GMVC950453BXAB</td></tr> <tr><td>M12 - GMVC950704CXAA</td></tr> <tr><td>M13 - GMVC950704CXAB</td></tr> <tr><td>M14 - GMVC950905CXAA</td></tr> <tr><td>M15 - GMVC950905DXAA</td></tr> <tr><td>M16 - GMVC950905DXAB</td></tr> <tr><td>M17 - GMVC951155DXAA</td></tr> <tr><td>M18 - GMVC951155DXAB</td></tr> </table> |            |  | M1 - AMVC950453BXAA | M2 - AMVC950453BXAB | M3 - AMVC950704CXAA | M4 - AMVC950704CXAB | M5 - AMVC950905CXAA | M6 - AMVC950905DXAA | M7 - AMVC950905DXAB | M8 - AMVC951155DXAA | M9 - AMVC951155DXAB | M10 - GMVC950453BXAA | M11 - GMVC950453BXAB | M12 - GMVC950704CXAA | M13 - GMVC950704CXAB | M14 - GMVC950905CXAA | M15 - GMVC950905DXAA | M16 - GMVC950905DXAB | M17 - GMVC951155DXAA | M18 - GMVC951155DXAB |
| M1 - AMVC950453BXAA  |               |  |  |            |  |                     |                     |                     |                     |                     |                     |                     |                     |                     |                      |                      |                      |                      |                      |                      |                      |                      |                      |
| M2 - AMVC950453BXAB  |               |  |  |            |  |                     |                     |                     |                     |                     |                     |                     |                     |                     |                      |                      |                      |                      |                      |                      |                      |                      |                      |
| M3 - AMVC950704CXAA  |               |  |  |            |  |                     |                     |                     |                     |                     |                     |                     |                     |                     |                      |                      |                      |                      |                      |                      |                      |                      |                      |
| M4 - AMVC950704CXAB  |               |  |  |            |  |                     |                     |                     |                     |                     |                     |                     |                     |                     |                      |                      |                      |                      |                      |                      |                      |                      |                      |
| M5 - AMVC950905CXAA  |               |  |  |            |  |                     |                     |                     |                     |                     |                     |                     |                     |                     |                      |                      |                      |                      |                      |                      |                      |                      |                      |
| M6 - AMVC950905DXAA  |               |  |  |            |  |                     |                     |                     |                     |                     |                     |                     |                     |                     |                      |                      |                      |                      |                      |                      |                      |                      |                      |
| M7 - AMVC950905DXAB  |               |  |  |            |  |                     |                     |                     |                     |                     |                     |                     |                     |                     |                      |                      |                      |                      |                      |                      |                      |                      |                      |
| M8 - AMVC951155DXAA  |               |  |  |            |  |                     |                     |                     |                     |                     |                     |                     |                     |                     |                      |                      |                      |                      |                      |                      |                      |                      |                      |
| M9 - AMVC951155DXAB  |               |  |  |            |  |                     |                     |                     |                     |                     |                     |                     |                     |                     |                      |                      |                      |                      |                      |                      |                      |                      |                      |
| M10 - GMVC950453BXAA |               |  |  |            |  |                     |                     |                     |                     |                     |                     |                     |                     |                     |                      |                      |                      |                      |                      |                      |                      |                      |                      |
| M11 - GMVC950453BXAB |               |  |  |            |  |                     |                     |                     |                     |                     |                     |                     |                     |                     |                      |                      |                      |                      |                      |                      |                      |                      |                      |
| M12 - GMVC950704CXAA |               |  |  |            |  |                     |                     |                     |                     |                     |                     |                     |                     |                     |                      |                      |                      |                      |                      |                      |                      |                      |                      |
| M13 - GMVC950704CXAB |               |  |  |            |  |                     |                     |                     |                     |                     |                     |                     |                     |                     |                      |                      |                      |                      |                      |                      |                      |                      |                      |
| M14 - GMVC950905CXAA |               |  |  |            |  |                     |                     |                     |                     |                     |                     |                     |                     |                     |                      |                      |                      |                      |                      |                      |                      |                      |                      |
| M15 - GMVC950905DXAA |               |  |  |            |  |                     |                     |                     |                     |                     |                     |                     |                     |                     |                      |                      |                      |                      |                      |                      |                      |                      |                      |
| M16 - GMVC950905DXAB |               |  |  |            |  |                     |                     |                     |                     |                     |                     |                     |                     |                     |                      |                      |                      |                      |                      |                      |                      |                      |                      |
| M17 - GMVC951155DXAA |               |  |  |            |  |                     |                     |                     |                     |                     |                     |                     |                     |                     |                      |                      |                      |                      |                      |                      |                      |                      |                      |
| M18 - GMVC951155DXAB |               |  |  |            |  |                     |                     |                     |                     |                     |                     |                     |                     |                     |                      |                      |                      |                      |                      |                      |                      |                      |                      |
| 101                  | 0121F00018P   | DECK RAIL (M1, M2, M10, M11)                                   |  |            |  |                     |                     |                     |                     |                     |                     |                     |                     |                     |                      |                      |                      |                      |                      |                      |                      |                      |                      |
| 101                  | 0121F00019P   | DECK RAIL (M3, M4, M5, M12, M13, M14)                          |  |            |  |                     |                     |                     |                     |                     |                     |                     |                     |                     |                      |                      |                      |                      |                      |                      |                      |                      |                      |
| 101                  | 20191303      | DECK RAIL (M6, M7, M8, M9, M15, M16, M17, M18)                 |  |            |  |                     |                     |                     |                     |                     |                     |                     |                     |                     |                      |                      |                      |                      |                      |                      |                      |                      |                      |
| 111                  | 0270F00001PS  | TOP COVER ASSY (M3, M4, M5, M12, M13, M14)                     |  |            |  |                     |                     |                     |                     |                     |                     |                     |                     |                     |                      |                      |                      |                      |                      |                      |                      |                      |                      |
| 111                  | 0270F00002PS  | TOP COVER ASSY (M6, M7, M8, M9, M15, M16, M17, M18)            |  |            |  |                     |                     |                     |                     |                     |                     |                     |                     |                     |                      |                      |                      |                      |                      |                      |                      |                      |                      |
| 111                  | 0270F00100PS  | TOP COVER ASSY (M1, M2, M10, M11)                              |  |            |  |                     |                     |                     |                     |                     |                     |                     |                     |                     |                      |                      |                      |                      |                      |                      |                      |                      |                      |
| 121                  | 20191602      | SIDE RAIL (M1, M2, M10, M11)                                   |  |            |  |                     |                     |                     |                     |                     |                     |                     |                     |                     |                      |                      |                      |                      |                      |                      |                      |                      |                      |
| 121                  | 20191603      | SIDE RAIL (M3, M4, M5, M12, M13, M14)                          |  |            |  |                     |                     |                     |                     |                     |                     |                     |                     |                     |                      |                      |                      |                      |                      |                      |                      |                      |                      |
| 121                  | 20191604      | SIDE RAIL (M6, M7, M8, M9, M15, M16, M17, M18)                 |  |            |  |                     |                     |                     |                     |                     |                     |                     |                     |                     |                      |                      |                      |                      |                      |                      |                      |                      |                      |
| 131                  | 0154F00000P   | COIL GASKET (M1, M2, M10, M11)                                 |  |            |  |                     |                     |                     |                     |                     |                     |                     |                     |                     |                      |                      |                      |                      |                      |                      |                      |                      |                      |
| 131                  | 0154F00001P   | COIL GASKET (M3, M4, M5, M12, M13, M14)                        |  |            |  |                     |                     |                     |                     |                     |                     |                     |                     |                     |                      |                      |                      |                      |                      |                      |                      |                      |                      |
| 131                  | 0154F00002P   | COIL GASKET (M6, M7, M8, M9, M15, M16, M17, M18)               |  |            |  |                     |                     |                     |                     |                     |                     |                     |                     |                     |                      |                      |                      |                      |                      |                      |                      |                      |                      |
| 141                  | 0121F00092DGS | SIDE PANEL LH  |  |            |  |                     |                     |                     |                     |                     |                     |                     |                     |                     |                      |                      |                      |                      |                      |                      |                      |                      |                      |
| 151                  | 0121F00090DGS | SIDE PANEL RH  |  |            |  |                     |                     |                     |                     |                     |                     |                     |                     |                     |                      |                      |                      |                      |                      |                      |                      |                      |                      |
| 161                  | 20006601      | INSULATION (M1, M2, M10, M11)                                  |  |            |  |                     |                     |                     |                     |                     |                     |                     |                     |                     |                      |                      |                      |                      |                      |                      |                      |                      |                      |
| 161                  | 20006602      | INSULATION (M3, M4, M5, M12, M13, M14)                         |  |            |  |                     |                     |                     |                     |                     |                     |                     |                     |                     |                      |                      |                      |                      |                      |                      |                      |                      |                      |
| 161                  | 20006603      | INSULATION (M6, M7, M8, M9, M15, M16, M17, M18)                |  |            |  |                     |                     |                     |                     |                     |                     |                     |                     |                     |                      |                      |                      |                      |                      |                      |                      |                      |                      |
| 171                  | 20243503      | SIDE INSULATION (QTY 2)  |  |            |  |                     |                     |                     |                     |                     |                     |                     |                     |                     |                      |                      |                      |                      |                      |                      |                      |                      |                      |
| ✓                    | 221           | B1370818   | INTERLOCK SWITCH   |            |  |                     |                     |                     |                     |                     |                     |                     |                     |                     |                      |                      |                      |                      |                      |                      |                      |                      |                      |
|                      | 231           | 22309501   | FLUE PIPE  |            |  |                     |                     |                     |                     |                     |                     |                     |                     |                     |                      |                      |                      |                      |                      |                      |                      |                      |                      |
|                      | 241           | 20171802S  | ELBOW  |            |  |                     |                     |                     |                     |                     |                     |                     |                     |                     |                      |                      |                      |                      |                      |                      |                      |                      |                      |
| ✓                    | 271           | 20245903S  | ID BLOWER  |            |  |                     |                     |                     |                     |                     |                     |                     |                     |                     |                      |                      |                      |                      |                      |                      |                      |                      |                      |
|                      | 281           | 20049701   | FA COUPLING  |            |  |                     |                     |                     |                     |                     |                     |                     |                     |                     |                      |                      |                      |                      |                      |                      |                      |                      |                      |
|                      | 391           | M0275521   | PLASTIC SEALER   |            |  |                     |                     |                     |                     |                     |                     |                     |                     |                     |                      |                      |                      |                      |                      |                      |                      |                      |                      |
|                      | 411           | 0161F00004S  | JUNCTION BOX   |            |  |                     |                     |                     |                     |                     |                     |                     |                     |                     |                      |                      |                      |                      |                      |                      |                      |                      |                      |
|                      | 431           | 0161F00005S  | JUNCTION BOX COVER   |            |  |                     |                     |                     |                     |                     |                     |                     |                     |                     |                      |                      |                      |                      |                      |                      |                      |                      |                      |
|                      | 591           | 11165107   | ID BLOWER SHIELD   |            |  |                     |                     |                     |                     |                     |                     |                     |                     |                     |                      |                      |                      |                      |                      |                      |                      |                      |                      |



# Heat Exchanger / Manifold / Gas Valve



**Image 2**



# Heat Exchanger / Manifold / Gas Valve

Ref. Part  
No: No:

Description:

Ref. Part  
No: No:

Description:

Image 1:

|   |     |             |   |
|---|-----|-------------|---|
| ✓ | 11  | 0130F00008S | SINI IGNITOR  |
| ✓ | 21  | 0151M00014  | GAS VALVE - HONEYWELL 2-STAGE (M2, M4, M5, M7, M9, M11, M13, M14, M16, M18) |
| ✓ | 21  | 0151F00000P | GAS VALVE - WHITE-RODGERS 2-STAGE (M1, M3, M6, M8, M10, M12, M15, M17)      |
|   | 31  | 10716003    | ORIFICE (QTY AR)  |
|   | 41  | 0130F00010  | FLAME SENSOR  |
|   | 51  | 0257F00143S | HEAT EXCHANGER ASSY 2B (M1, M2, M10, M11)                                   |
|   | 51  | 0257F00146S | HEAT EXCHANGER ASSY 3B (M3, M4, M12, M13)                                   |
|   | 51  | 0257F00140S | HEAT EXCHANGER ASSY 4B (M6, M7, M15, M16)                                   |
|   | 51  | 0257F00205  | HEAT EXCHANGER ASSY 4B (M5, M14)  |
|   | 51  | 0257F00174S | HEAT EXCHANGER ASSY 5B (M8, M9, M17, M18)                                   |
|   | 71  | 10735102S   | BECKETT BURNER (QTY AR)   |
|   | 91  | 20190410    | BURNER BRACKET 2B (M1, M2, M10, M11)  |
|   | 91  | 20190411    | BURNER BRACKET 3B (M3, M4, M12, M13)  |
|   | 91  | 20190412    | BURNER BRACKET 4B (M5, M6, M7, M14, M15, M16)                               |
|   | 91  | 20190413    | BURNER BRACKET 5B (M8, M9, M17, M18)  |
|   | 131 | 20170804AS  | FRONT COVER (M1, M2, M10, M11)  |
|   | 131 | 20170903AS  | FRONT COVER (M3, M4, M12, M13)  |
|   | 131 | 20170906A   | FRONT COVER (M5, M14)   |
|   | 131 | 20171003AS  | FRONT COVER (M6, M7, M15, M16)  |
|   | 131 | 20171004AS  | FRONT COVER (M8, M9, M17, M18)  |
|   | 141 | 0154F00000P | COIL GASKET (M1, M2, M10, M11)  |
|   | 141 | 0154F00001P | COIL GASKET (M3, M4, M5, M12, M13, M14)                                     |
|   | 141 | 0154F00002P | COIL GASKET (M6, M7, M8, M9, M15, M16, M17, M18)                            |
|   | 151 | 10123518    | MANUAL RESET LIMIT (M1, M2, M10, M11)                                       |
|   | 151 | 10123537    | MANUAL RESET LIMIT-GRAY (M6, M7, M15, M16)                                  |
| ✓ | 151 | 10123533    | MANUAL RESET LIMIT-YELLOW (M3, M4, M5, M8, M9, M12, M13, M14, M17, M18)     |
|   | 161 | M0326804    | TUBE PLUG   |
|   | 171 | 20196401    | MANIFOLD - 2 BRNR (M1, M2, M10, M11)  |
|   | 171 | 20196402    | MANIFOLD - 3 BRNR (M3, M4, M12, M13)  |
|   | 171 | 20196403    | MANIFOLD - 4 BRNR (M5, M6, M7, M14, M15, M16)                               |
|   | 171 | 20196404    | MANIFOLD - 5 BRNR (M8, M9, M17, M18)  |
|   | 231 | A1781105    | CAP-VINYL .500 (QTY 2)  |
|   | 291 | 20197308    | PRESSURE SWITCH-YELLOW  |
|   | 301 | 0130F00111  | PRESSURE SWITCH (M5, M14)   |
|   | 301 | 11177113    | PRESSURE SWITCH-GRAY (M1, M2, M3, M4, M10, M11, M12, M13)                   |
|   | 301 | 11177114    | PRESSURE SWITCH-OLIVE (M6, M7, M8, M9, M15, M16, M17, M18)                  |
|   | 321 | 11072201    | ORIFICE SHIELD (M1, M2, M10, M11)   |
|   | 321 | 11072202    | ORIFICE SHIELD (M3, M4, M12, M13)   |
|   | 321 | 11072203    | ORIFICE SHIELD (M5, M6, M7, M14, M15, M16)                                  |
|   | 321 | 11072204    | ORIFICE SHIELD (M8, M9, M17, M18)   |

Image 1:

|     |            |   |
|-----|------------|---|
| 371 | 0130F00105 | LIMIT SWITCH (M5, M14)                                    |
| 371 | 20162907   | PRIMARY LIMIT (M3, M4, M12, M13)                          |
| 371 | 20162904   | PRIMARY LIMIT-TEMPERATURE CONTROL (M8, M9, M17, M18)      |
| 371 | 20162905   | PRIMARY LIMIT-YELLOW (M1, M2, M6, M7, M10, M11, M15, M16) |

Image 2:

|    |            |   |
|----|------------|---|
| 12 | 0259M00004 | WIRE HARNESS, ADAPTOR (M2, M4, M5, M7, M9, M11, M13, M14, M16, M18) |
|----|------------|---|

Expanded Model Nomenclature

|                      |
|----------------------|
| M1 - AMVC950453BXAA  |
| M2 - AMVC950453BXAB  |
| M3 - AMVC950704CXAA  |
| M4 - AMVC950704CXAB  |
| M5 - AMVC950905CXAA  |
| M6 - AMVC950905DXAA  |
| M7 - AMVC950905DXAB  |
| M8 - AMVC951155DXAA  |
| M9 - AMVC951155DXAB  |
| M10 - GMVC950453BXAA |
| M11 - GMVC950453BXAB |
| M12 - GMVC950704CXAA |
| M13 - GMVC950704CXAB |
| M14 - GMVC950905CXAA |
| M15 - GMVC950905DXAA |
| M16 - GMVC950905DXAB |
| M17 - GMVC951155DXAA |
| M18 - GMVC951155DXAB |